

MANUAL LINE

MANUAL SHEET TO SHEET LAMINATING/MOUNTING MACHINE



Lamina Manual Line is a low cost investment to enter the laminating/mounting business. The bottom sheet is manually fed into the machine and a second operator applies the top sheet after the glue application. The registration is achieved by using adjustable side lays and then fed into pressure rollers for a high quality surface.

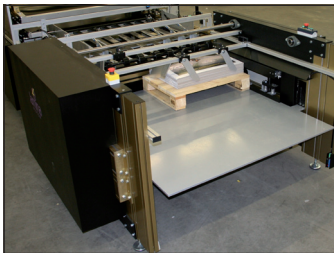
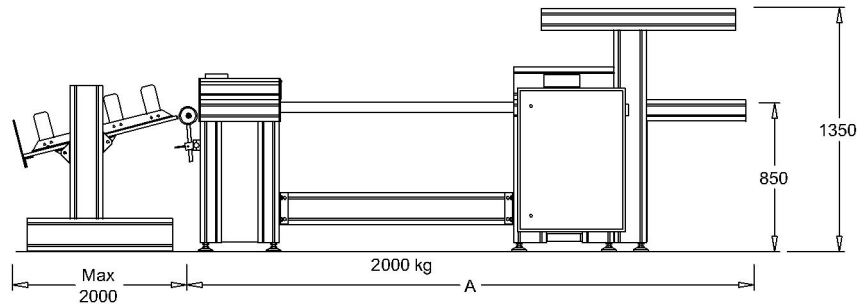
Lamina Manual Line is a compact-built machine. The construction of the machine allows future upgrades using the existing high quality precision glue unit. The set-up is extremely short and it is possible to run 2 bottom sheets at the same time depending on the size of the material.

The machine can be equipped with options such as Pressure Belt, Down Stacker etc. whenever required.



MANUAL LINE

MANUAL SHEET TO SHEET LAMINATING/MOUNTING MACHINE



Size Range Model	Maximum Sheet Size		Minimum Sheet Size	
	Width	Length	Width	Length
1116 ML	1100 mm (43")	1600 mm (63")	200 mm (8")	500 mm (20")
1416 ML	1400 mm (55")	1600 mm (63")	200 mm (8")	500 mm (20")
1420 ML	1400 mm (55")	2000 mm (78")	200 mm (8")	500 mm (20")
1620 ML	1600 mm (63")	2000 mm (78")	200 mm (8")	500 mm (20")

Machine Size (incl. Stacking table)

Model	Width	Length A	Weight
1116 ML	2050 mm (81")	5600 mm (220")	2950 kg
1416 ML	2350 mm (92")	5600 mm (220")	3150 kg
1420 ML	2350 mm (92")	6000 mm (236")	3250 kg
1620 ML	2550 mm (100")	6000 mm (236")	3500 kg

Top Sheet	Max 10 mm finished product
Bottom Sheet	250 g/m ² - 10 mm, corrugated from 0,6 - 10 mm
Total Installed Power	5,0 kW
Electrics	208 V, 3 phase, 60 cycle; or 400 V, 3 phase, neutral, 50/60 cycle; or Specify
Air Requirements	6 bar; 80 psi; 34 CFM, Approximately 200 L/min

Note! For more information and videos, please visit www.laminasystem.com



Head Office, Sweden: Lamina System AB

Vevgatan 21, 504 64 Borås, Sweden, Phone +46 33 23 34 00, Fax +46 33 23 34 10

Web: www.laminasystem.com, e-mail: sales.dept@laminasystem.com